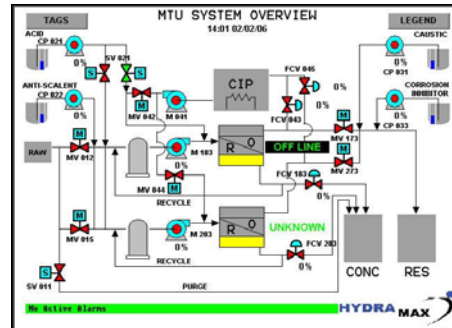


Project Name: Reverse Osmosis (RO) Process Control and Automation

List of Plants and Owners:

1. Town of Angusville, MB
2. RM of Broken Head, MB
3. Town of Foam Lake, SK
4. Town of Davidson, SK
5. Star Blanket First Nation, SK
6. Little Black Bear First Nation, SK
7. Town of Cadillac, SK



RO Membrane Supplier: Central Water Conditioning, Watson, SK



Plant Facility: Each water treatment plant listed above consists of either a single or a double train membrane treatment unit (MTU). Membrane Process is the most accepted water treatment process for cleaning water using Membrane technology. Water passes through various stages of membranes for purification.

Delco Automation’s Scope of Work:

- Designed and Developed PLC/HMI based “HYDRAMAX” product for RO process control
- Manufactured, Installed and Commissioned process control/automation system at each plant

Technology: HYDRAMAX is a product of Delco Automation Inc that controls RO water treatment process and enhances life of Membrane Treatment Unit (MTU). Hydramax is designed using a PLC for process control and monitor. PLC controls booster pumps, motorized valves and chemical pumps, and monitors flow, pressure, tank levels, turbidity, conductivity and pH level. Hydramax consists of a HMI panel for operator interface, and is designed for monitoring various process control parameters, entering set points and forming reports.